

Airbi NOTE digital clock with calendar and photo frame

BEFORE YOU START USING IT

- Please make sure to read the instruction manual carefully.
- This information will help you to familiarise yourself with your new device, to learn all of its functions and parts, to find out important details about its first use and how to operate it, and to get advice in the event of faults.
- Following and respecting the instructions in your manual will prevent damage to your instrument and loss of your statutory rights arising from defects due to incorrect use.
- We shall not be liable for any damage occurring as a result of non-following of these instructions.
- Please take particular note of the safety advice!
- **Please keep this instruction manual for future reference.**

SCOPE OF DELIVERY

- digital clock
- screw stand
- power adapter
- remote control
- printed instructions

FOR YOUR SAFETY

- The product is intended only for the area of use described in this manual. It should only be used according to these instructions.
- Unauthorized repairs, modifications or changes to the device are prohibited.

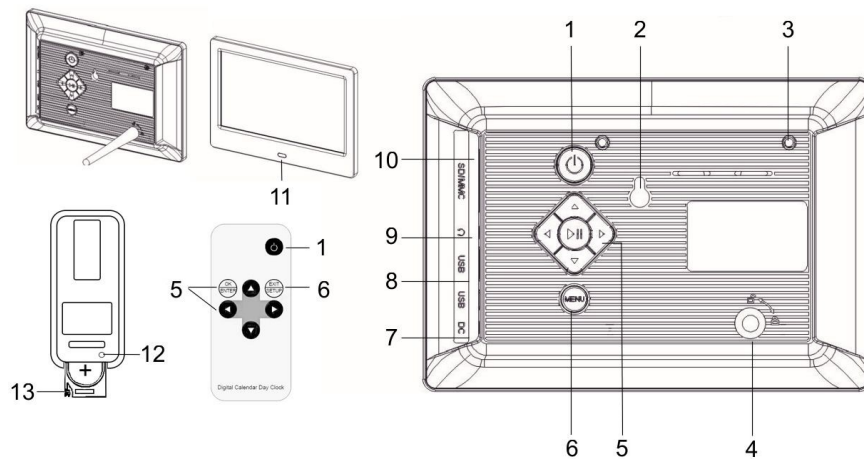
ATTENTION! DANGER!

- Risk of fatal electric shock!
- Connect the device only to a professionally installed socket with a voltage of 230V! The outlet must be easily accessible and close to the device.
- The device or adapter must not come into contact with water or moisture. They are only suitable for use in dry areas.
- If the device or adapter is damaged, do not use it.
- Do not leave the device within the reach of persons (including children) who cannot fully assess the potential risk when handling electrical equipment.
- In the event of any malfunctions or if the device will not be used for a long time, immediately pull the plug from the socket.
- Use only the supplied adapter.
- Route the cable so that it does not come into contact with sharp corners or hot objects.

Attention! Risk of injury:

- Keep the device and batteries out of the reach of children.
- Batteries must not be thrown into fire, short-circuited, disassembled or recharged. **Risk of explosion!**
- Batteries contain dangerous acids. Weak batteries should be replaced as soon as possible to prevent them from leaking into the device.
- Batteries contain harmful acids and can be dangerous if swallowed. Swallowing a battery can cause severe internal burns and death within two hours. If you suspect that the battery may have been swallowed or otherwise entered the body, seek medical attention immediately.
- Never use a combination of old and new batteries or batteries of different types. Wear protective gloves and goggles when handling leaked batteries.
- Do not place the device near sources of high temperatures, vibrations or shocks.

DEVICE DESCRIPTION



- | | |
|--|---|
| <ol style="list-style-type: none"> 1. Display on/off button 2. Hole for suspension 3. Holes for fixed installation 4. Thread for the screw stand 5. ↑, ↓, ←, → and OK/ENTER buttons 6. MENU/EXIT/SETUP button 7. Socket for power adapter | <ol style="list-style-type: none"> 8. USB ports 9. 3.5 mm audio jack socket 10. SD card port 11. Remote control signal sensor 12. Locking screw of the battery compartment 13. Locking beak of the battery compartment (must be pushed to the → side) |
|--|---|

WE BEGIN

- Remove the protective foil from the display.
- Connect the device to electricity using the supplied power adapter.
- In the remote control, remove the insulating strip in the battery compartment. To open the battery compartment, use a suitable screwdriver to unscrew the locking screw and push the beak (see PUSH inscription on the back of the controller). The drawer with the battery can then be easily pulled out. Remove the insulating strip and insert the battery compartment back into the controller. Secure again with a screw.

TIME, DATE, DISPLAY, LANGUAGE, CLOCK ALERT and VOLUME settings

- Press the MENU/EXIT/SETUP button to enter the setup mode.
- ↑ and ↓ buttons to select the value you want to set.
- You can set the value with the ← or → buttons (it differs when setting the time and date).
- The device will automatically exit the setting mode if no button is pressed for 1 minute.
- You can also exit the setup mode by pressing the MENU/EXIT/SETUP button. Pressing this button will also move you up a level (e.g. when setting the alert text).

Setting the time

- Select the *Set time* line using the ↑ and ↓ buttons. Then press the OK/ENTER button.
- An underline appears under the clock. Set the hours using the ↑ and ↓ buttons.
- Press the button →. The underline moves to the minutes. Set the minutes using the ↑ and ↓ buttons. Then press the → button again and set the seconds in the same way.
- Confirm the time setting with the OK/ENTER button. Now the time is set and the underline has disappeared.

Setting the time mode

- You can choose between 24-hour and 12-hour time display formats. Use the ↑ and ↓ keys to select the *Time mode* line, use the ← and → keys to set the desired format.

Date setting

- Select the *Set date* line using the ↑ and ↓ buttons . Then press the OK/ENTER button.
- An underline appears below the bottom. Adjust using the ↑ and ↓ buttons .
- Press the button → . The underline moves to the month. Set the month using the ↑ and ↓ buttons . Then press the → button again and set the year in the same way.
- Confirm the date setting with the OK/ENTER button. Now the date is set and the underline under the day, month or year has disappeared.
- The order of day, month and year may differ depending on the set calendar mode.

Setting the calendar mode (date format)

- You can choose between DMR or MDR formats. Use the ↑ and ↓ buttons to select the *Date mode* line , and use the ← and → buttons to set the desired format.

Language settings

- You can choose between English, German, Polish, Czech, Slovak and Hungarian.
- Use the ↑ and ↓ buttons to select the *Language* line , the ← and → buttons to set the desired language.

Screen brightness

- There are 5 levels of screen brightness and an automatic mode to choose from. Automatic mode means that the brightness of the display is dimmed between 20:00 and 6:59.
- Use the ↑ and ↓ buttons to select the *Screen Brightness* line , the ← and → buttons to set the brightness level or the *Auto* option .

Day period

- The display can also show part of the day: *morning* (6.00-11.59), *afternoon* (12.00-17.59), *evening* (18.00-20.59), *night* (21.00-23.59) and *before at dawn* (24.00-5.59).
- You can turn the day period display on or off. Use the ↑ and ↓ buttons to select the *Show period of day* line , use the ← and → buttons to set the option *on* or *off* .

Daylight saving time

- You can set whether the device will switch to summer time. Daylight saving time is different in different places in the world, so you can choose whether it is off or whether it is like in the UK, North America, European Union, New Zealand or Australia.
- Use the ↑ and ↓ buttons to select the *Daylight Savings Time* line , the ← and → buttons to set the desired mode.

Hourly announcement of time

- The device can notify you every full hour by voice in the set language. This function can be turned off, or you can turn it on for a set time period - e.g. so that it is turned off at night.
- Use the ↑ and ↓ buttons to select the *Hourly time notification* line . With the ← and → buttons you can select the value *off* or the time range (=on).
- If you want to set a different time range for the voice announcements of whole hours, select the time range using the ← and → buttons . Then press the OK/ENTER button.
- An underline appears below the start of the range. Use the ↑ or ↓ buttons to set the desired hour at which the voice announcements will start.
- Press the OK/ENTER button. An underline appears below the hour at which voice announcements end. Set the desired hour with the ↑ or ↓ buttons .
- Confirm the settings by pressing the OK/ENTER button again. The time range is set and the underline disappears.

Volume

- You can adjust the volume in steps of 1-10. Use the ↑ and ↓ buttons to select the *Volume* line . You can set the desired volume with the ← and → buttons .

Show the time on the display

- By repeatedly pressing the ← and → buttons in normal mode, you can set different views of the time data on the display: different colors of the font on a black background, a display rotated by 90° with a different color of the font, a display with a red, white and blue stripe, or a clock display with a classic clock face .
- Display rotated by 90° (vertical positioning of the display) refers only to the basic time display. The settings menu and displayed photos and played videos will always be in horizontal orientation.



Customizable display examples.

NOTICE

- Notifications can be set on the clock: a sound will sound at the set time, the alarm symbol and the selected text will appear on the display. You can choose the notification text from the menu in the device or you can write your own text. You can also set the reminder to repeat at the same time on different days of the week.

Notification settings

- Press the MENU/EXIT/SETUP button and use the ↑ and ↓ buttons to select the *Alarm Status* line. Press OK/ENTER. This will enter notification settings mode.
- Use the ↑ and ↓ buttons to move between lines with individual notifications. If you select the line *Add alarm* and press the OK/ENTER button, another notification will be added to the list (max. 42).
- If you select an alarm line and press OK/ENTER, you will enter the specific alarm settings. For notifications, you can set the time, date, days of the week when the notification should be repeated, the duration of the sound alarm, the sound of the alarm, the text of the notification (selection from factory preset texts), your own notification (the possibility to write your own text of the notification) or the option to delete that particular alert.
- **Set time:** select the line *Set time* , press the OK/ENTER button. The time appears on the display, the clock is underlined. Use the ↑ and ↓ buttons to set the hours. Press the ← or → button to move to the minutes setting. Set them again with the ↑ or ↓ buttons. Once you have the alert time set correctly, press the OK/ENTER button. The notification time is set and the hour or minute underline has disappeared.
- **Set date:** set the date in the same way as the time. Use the ↑ and ↓ keys to select the line *Set date* and press OK/ENTER. The date appears on the display and the first date is underlined. Set the individual parts of the date using the ↑ and ↓ buttons, move between the month, day and year using the ← or → buttons. Once you have the notification date set correctly, press the OK/ENTER button. The date is set and the underline is gone.
- **Set repeat:** select this line using the ↑ or ↓ buttons. A green frame will appear around one shortcut per week. Press the ← or → button to move between the days of the week. If you want the reminder to repeat on that day, press OK/ENTER, the day of the week abbreviation will be highlighted in red. The notification will be repeated on these days. If , on the other hand, you want to turn off the notification on certain days, simply select a day of the week with the ← or → button and press OK/ENTER. The red highlight will disappear and the alert will not repeat on that day.
- **Duration of alarm sound:** select this line using the ↑ or ↓ buttons. Use the ← or → buttons to select a different duration of the sound alert – 10 s, 30 s, 1 min, 2 min, 5 min.
- **Alarm sound:** select this line using the ↑ or ↓ buttons. Use the ← or → buttons to select a notification sound. There are 4 different sounds to choose from (beep, birds, bell, soft ringtone).

- **Alarm message:** here you can choose one of the preset alarm texts. select this line using the ↑ or ↓ keys. Press ← or → or OK/ENTER. A menu with different texts will open. Select the desired text using the ↑ or ↓ buttons and press OK/ENTER. The √ character is moved to the left of the selected text. This selects the selected text with the √ sign for the notification. Exit the menu of alarm texts with the MENU/EXIT/SETUP button.
- **Custom message:** here you can set your own notification text. Select the *Custom message* line using the ↑ or ↓ buttons. Press ← or → or OK/ENTER. A keyboard will open where you can write your own notification text (max. 63 characters). You move between individual keys with the ↑, ↓, ←, → keys, you use the key by pressing the OK/ENTER key . You can use numbers and letters without diacritics. Once you have the warning text written, use the ↑, ↓, ←, → keys to move to the "Save" key and press OK/ENTER.
- **Attention :** it is not possible to have the Alert message and Custom message set at the same time . By writing and saving the *Custom message* text , you will override the default *Alert message* (one line above). Conversely, by selecting some of the preset *Alert message*, you cancel and delete the *Custom message* text .
- **Enable alarm :** here you turn off or on the alarm. Select this row using the ↑ or ↓ keys. Press ← or → or OK/ENTER.
- **Delete:** Here you can delete the alarm. Select this row using the ↑ or ↓ keys. Press the OK/ENTER button. This will delete the alarm and return you to the list of all saved alarms.
- Once you have everything set up for the alarms, press the MENU/EXIT/SETUP button. If the alarm is on, the alarm list will show the alarm text and the time it started (otherwise it will just say "Off").

PHOTO FRAME FUNCTION

- Airbi NOTE can also be used as a photo frame. This means that the display can display photos or play videos stored on an SD card or USB flash drive.
- The maximum capacity of an SD card or USB flash drive is 64 GB.
- Insert an SD card or USB flash drive into the appropriate slot.
- If the photos and videos do not start playing automatically, press the OK/ENTER button. The display will show photos and play videos. You can turn off the playback at any time with the MENU/EXIT/SETUP button (and then turn it on again with the OK/ENTER button).
- You can manually switch between individual videos or photos using the ↑ or ↓ buttons.
- You can interrupt video playback or photo rotation and start it again by pressing the OK/ENTER button.
- Adjust the volume of the video with the ← or → buttons.
- For better listening, you can also use the 3.5 mm jack connector to connect headphones or speakers.

POWER SUPPLY, BATTERY REPLACEMENT

- In order for the clock to work, it must be powered by a mains adapter. The clock has a built-in backup battery that serves as a backup to maintain settings during a power outage or moving the clock to another location.
- The remote control is powered by a CR2025 battery. Replace it if the remote control stops working. See the procedure for opening the battery compartment above - chapters Device Description and We began.

CARE AND MAINTENANCE

- Clean the device with a soft damp cloth. Do not use cleaning agents.
- Store the device in a dry place.
- Remove the battery from the remote control if you are not going to use it for a long time.

TROUBLESHOOTING

Nothing is visible on the display	<ul style="list-style-type: none"> • Connect the device to electricity with the adapter • Check the adapter and socket • Press the display on/off button on the back of the device
-----------------------------------	---

The device does not respond to the remote control	<ul style="list-style-type: none"> • Check that there is no insulating strip in the battery compartment of the controller • Make sure you are pointing correctly at the remote control sensor below the display • Make sure there is no obstacle in the way • Try remote control from a smaller distance • Check the battery in the remote control • Check that the battery is inserted under the correct polarity (+ and -, correct location see above Device description)
---	---

WASTE PROCESSING



The product was made from premium materials and components that can be recycled and reused. Never dispose of empty batteries and rechargeable batteries in household waste.

As a consumer, you are responsible for taking them to an electrical store or local waste collection point, in accordance with your applicable legislation, thereby protecting the environment.



The symbols of the heavy metals contained are as follows: Cd = Cadmium, Hg = Mercury, Pb = Lead. This device is marked with the European Waste Electrical and Electronic Equipment (WEEE) label.

Please do not dispose of this device in household waste. The user is obliged to take the end-of-life device to the appropriate collection point for electrical waste to ensure that it is processed in accordance with the environment.

TECHNICAL PARAMETERS

Supported video formats	RM, RMVB, MKV, MOV, M4V, MPG, FLV, PMP, AVI, VOB
Supported audio formats	MP3
Supported image formats	JPG, JPEG
Ports	USB-A, SD card, audio 3.5 mm jack (Mini-USB port is only for firmware update)
Speaker features	8Ω, 2W x 2
Clock power supply	adapter
Adapter input	100-240 V AC, 50/60 Hz, 0.5 A Max
Adapter output	5V DC, 2A, 10W
Power remote control	CR2025
Dimensions of the clock	179 x 210 x 126 mm
Clock weight	231 g (device only)
Remote control dimensions	40 x 7 x 86 mm
Weight remote control	14g (device only)

Manufacturer: Bibetus, s.r.o., Loosova 1, Brno 638 00

Bibetus s.r.o. declares that the Airbi NOTE device (model YI07) complies with all essential requirements of the EU directives. The full text of the EU declaration of conformity is available on the website www.airbi.eu.

No part of this manual may be reproduced without written consent of manufacturer. The technical data are correct at the time of going to print and may change without prior notice. The latest technical data and information about your product can be found by entering your product number on our homepage.

www.airbi.eu